

DISMANTLING PIECES



Pipe lines are heavy and they are not flexible. They cannot be moved to install or un-install a valve or similar equipment. To make the job easy, dismantling piece is used.

It is a type of product which consists of sliding flanged pipes, a flange (retainer ring), a rubber ring, studs and nuts. It is used for easy installation and un-installation of valves or similar equipments to pipe line or to each others. Face-to-face dimension of dismantling piece can be changed (\pm) 25 mm to perform its duty.

The space between two flanges at the pipe line, where dismantling piece to be installed, should be the same with face-to-face dimension of dismantling piece mentioned in the catalogue. The shortest face-to-face is obtained by sliding two flanged pipes of dismantling piece on each others. The dimension is 25 mm shorter than catalogue value. This feature makes possible to install or un-install a valve or any other equipment or to fix flange gaskets.

One flange of dismantling piece is connected to the flange of pipe line. Then, other flange of dismantling piece is connected to other flange of pipe line by sliding flanged pipes on each others. Dismantling piece is fixed by tightening studs and nuts. Retainer ring in the middle, which presses on rubber ring, is also tightened till sealing performance of rubber ring is acceptable. Installation job is completed.

For un-installation job, these steps are followed from the end.



Product Code : DP-T

Full Stud Design Dismantling Piece



Product Code : DP-P

Partial Studs Design Dismantling Piece

DISMANTLING PIECE



Full Stud Design Dismantling Piece, Product Code, DP-T

Full stud design is the name for the type that all flange holes are fitted with studs. All flange connection holes are fitted with studs. It does not require additional bolts for connection. The retainer, which presses on rubber ring, is also tightened by nuts on these studs.

This design is preferred especially for PN 25 and greater pressure ratings to prevent misalignment of sliding flanged pipes. However, it is applicable for all pressure ratings upon request.

Maintenance,

No maintenance is needed for a dismantling piece installed in a pipe line. If it is uninstalled, we recommend checking rubber ring and changing if necessary.



Partial Studs Design Dismantling Piece, Product Code, DP - P

Partial stud design is the name for the type that all flange holes are not fitted with studs.

Same sizes of bolts are used for connection holes that do not have studs.

Retainer ring is tightened just enough for sealing performance of rubber ring.

Long studs are used for one of four holes but total quantity is not less than four pieces. Duty of long studs is to prevent misalignment of sliding flanged pipes.

This design is applicable for pressure ratings up to PN25.

This design is preferred for its advantages of easy installation and low cost.

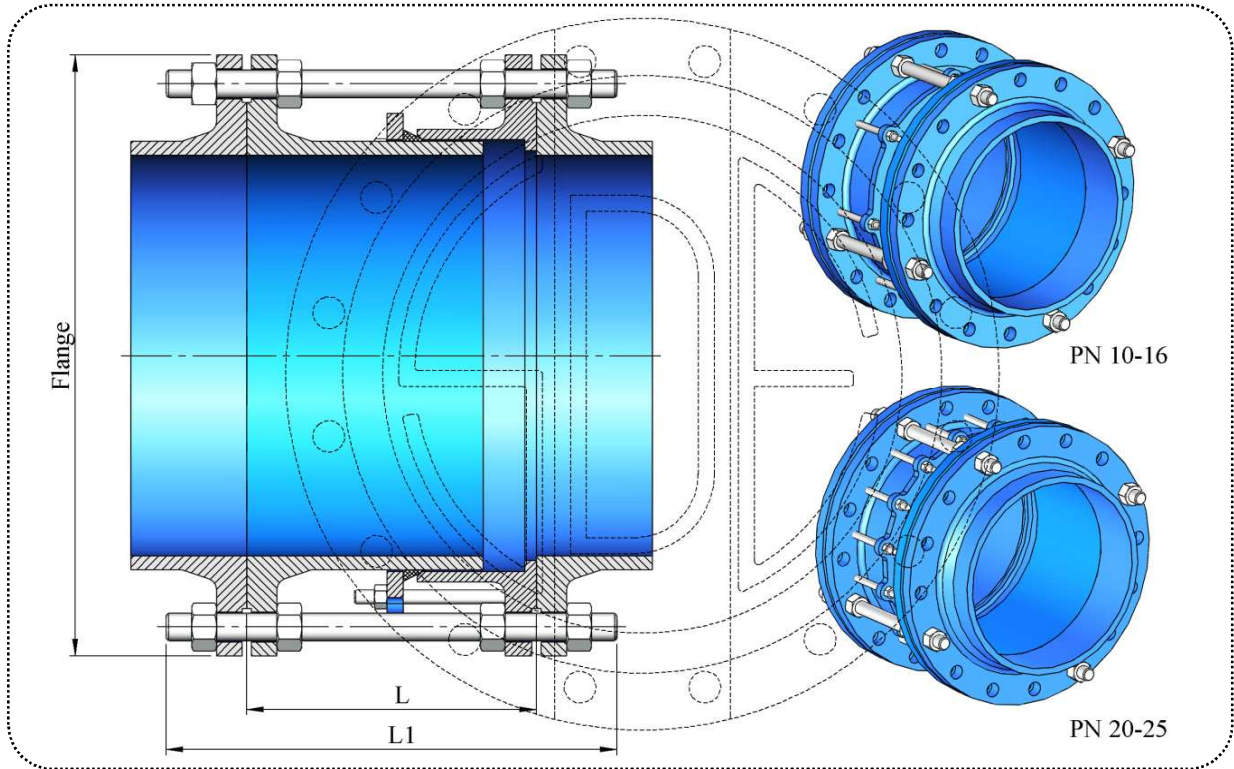
Maintenance,

No maintenance is needed for a dismantling piece installed in a pipe line. If it is uninstalled, we recommend checking rubber ring and changing if necessary.

DISMANTLING PIECE - PARTLY STUD

Displacement, ± 25 mm

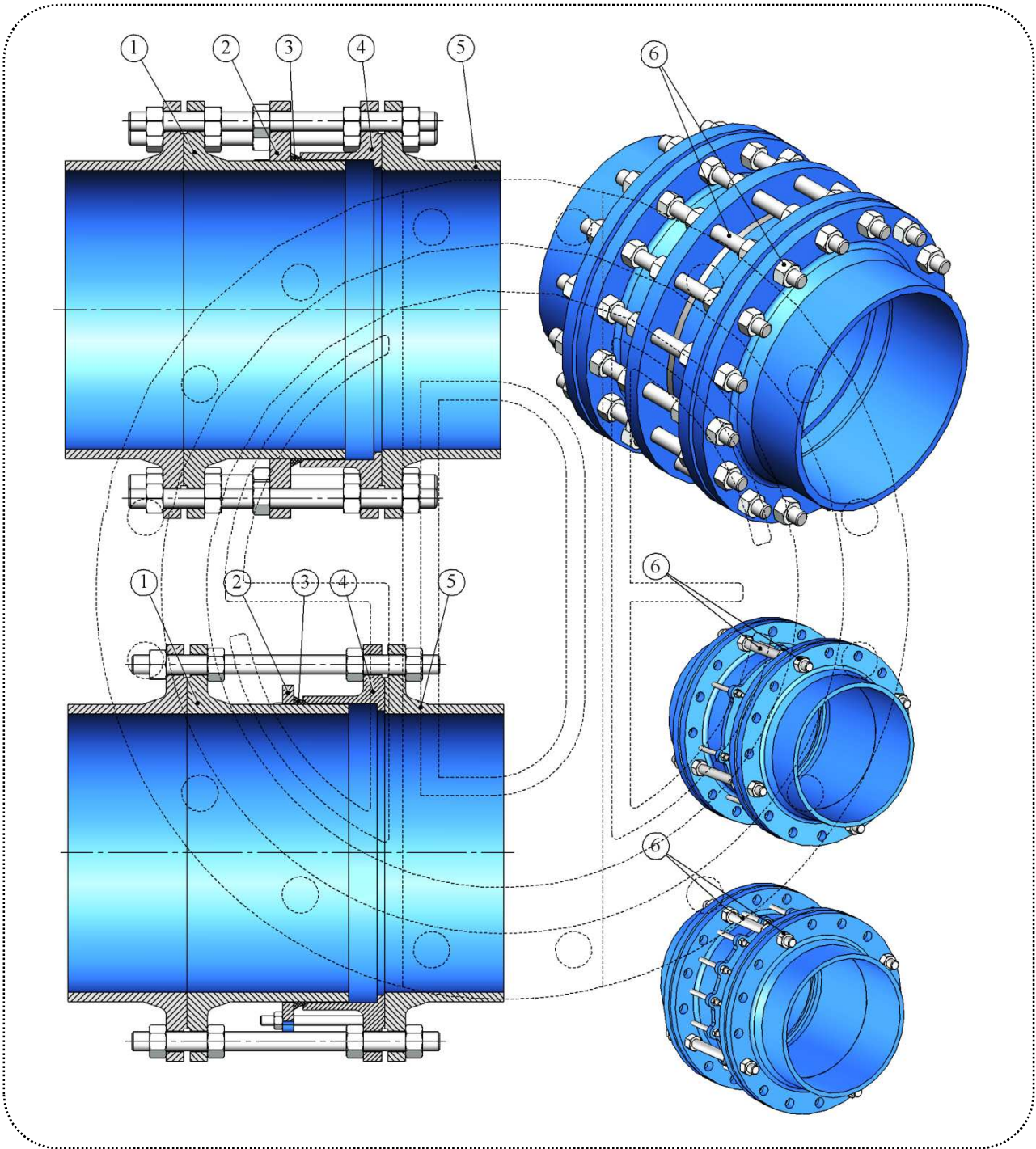
Maximum allowable working temperature for all types of our valves is 80 degrees Celcius.



DIMENSIONS

DN	PN 10			PN 16			PN 20			PN 25		
	L	L1	Kg	L	L1	Kg	L	L1	Kg	L	L1	Kg
100	200	286	19	200	286	18	200	286	22	200	286	22
125	200	286	23	200	286	22	200	286	27	200	286	27
150	200	298	29	200	298	28	202	302	35	202	302	35
200	220	320	38	220	320	37	232	348	52	232	348	52
250	220	324	51	228	344	56	239	369	76	239	369	76
300	220	329	64	228	349	72	240	376	101	240	376	101
350	250	359	78	262	387	93	281	431	140	281	431	140
400	250	371	95	263	400	118	283	446	180	283	446	180
450	250	373	112	265	406	150	285	452	215	285	452	215
500	260	385	130	282	435	197	298	470	259	298	470	259
550	260	398	158	283	450	247	300	487	316	300	487	316
600	260	401	182	284	455	292	302	494	367	302	494	367
650	260	404	215	285	460	307	310	516	441	310	516	441
700	260	406	245	286	464	317	312	522	499	312	522	499
750	290	448	290	311	493	365	350	583	603	350	583	603
800	290	450	329	318	512	419	352	589	685	352	589	685
900	290	455	392	320	521	501	356	602	823	356	602	823
1.000	290	469	493	322	539	673	368	644	1.117	368	644	1.117
1.050	310	492	556	344	565	742	390	670	1.237	390	670	1.237
1.100	310	494	608	345	570	797	391	675	1.326	391	675	1.326
1.200	320	518	737	362	611	1.037	400	694	1.544	400	694	1.544
1.300	340	549	880	376	627	1.126	413	708	1.711	413	708	1.711
1.400	360	569	948	400	655	1.278	450	766	2.064	450	766	2.064
1.500	380	592	1.074	422	682	1.546						
1.600	390	623	1.347	436	722	1.806						
1.700	430	666	1.479	478	769	2.058						
1.800	430	669	1.589	480	776	2.221						
1.900	470	713	1.776	529	842	2.521						
2.000	470	717	1.938	530	848	2.754						
2.100	520	792	2.284	568	892	3.069						
2.200	520	796	2.519	570	900	3.330						

DISMANTLING PIECE



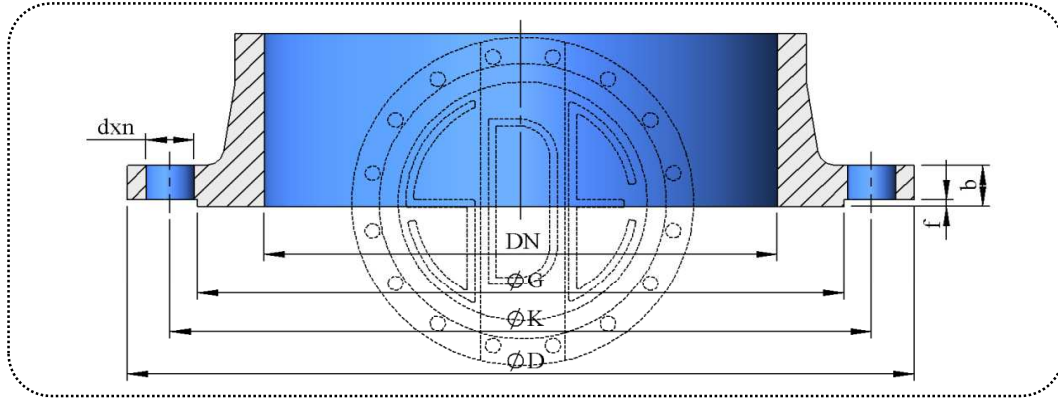
PARTS

No	Item Name	Material	Description	EN Standard	Material No
1-4	Long and Short Body	GGG 40	Ductile Iron	EN-GJS-450-15	0.7040
		GGG 50		EN-GJS-500-7	0.7050
		St 37-2	Steel Construction	EN 10025	1.0037
2	Retainer Ring	St 37-2	Steel	EN 10025	1.0037
3	Ring	NBR, EPDM	Rubber	-	-
5	Flange of Pipe Line	-	-	-	-
6	Studs Nuts	Galvanized	Steel	-	-
		A 2 - A 4	Stainless Steel	-	-

Coating WRAS approved fusion bonded epoxy. 300 microns dft as standard.

Maximum allowable working temperature for all types of our valves is 80 degrees Celcius.

FLANGE DIMENSIONS



Nominal Dia	Outside Dia	Raised Face		Flange Holes			Flange Thickness	Outside Dia	Raised Face		Flange Holes			Flange Thickness
		Dia	Height	Circle Dia.	Dia	Num ber			Dia	Height	Circle Dia.	Dia	Num ber	
DN	D	G	f	K	d	n	b	D	G	f	K	d	n	b
PN 10								PN 16						
100	220	158	3	180	19	8	19	220	158	3	180	19	8	19
125	250	188	3	210	19	8	19	250	188	3	210	19	8	19
150	285	212	3	240	23	8	19	285	212	3	240	23	8	19
200	340	268	3	295	23	8	20	340	268	3	295	23	12	20
250	395	320	3	350	23	12	22	405	320	3	355	28	12	22
300	445	370	4	400	23	12	25	460	378	4	410	28	12	25
350	505	430	4	460	23	16	25	520	438	4	470	28	16	27
400	565	482	4	515	28	16	25	580	490	4	525	31	16	28
450	615	532	4	565	28	20	26	640	550	4	585	31	20	30
500	670	585	4	620	28	20	27	715	610	4	650	34	20	32
600	780	685	5	725	31	20	30	840	725	5	770	37	20	36
700	895	800	5	840	31	24	33	910	795	5	840	37	24	40
800	1.015	905	5	950	34	24	35	1.025	900	5	950	41	24	43
900	1.115	1.005	5	1.050	34	28	38	1.125	1.000	5	1.050	41	28	47
1.000	1.230	1.110	5	1.160	37	28	40	1.255	1.115	5	1.170	44	28	50
1.200	1.455	1.330	5	1.380	41	32	45	1.485	1.330	5	1.390	50	32	57
1.400	1.675	1.535	5	1.590	44	36	46	1.685	1.530	5	1.590	50	36	59
1.500	1.785	1.640	5	1.700	44	36	48	1.820	1.640	5	1.710	57	36	63
1.600	1.915	1.760	5	1.820	50	40	49	1.930	1.750	5	1.820	57	40	65
1.800	2.115	1.950	5	2.020	50	44	52	2.130	1.950	5	2.020	57	44	69
2.000	2.325	2.150	5	2.230	50	48	55	2.345	2.150	5	2.230	62	48	73
2.200	2.550	2.370	5	2.440	57	52	59	2.555	2.360	5	2.440	62	52	80
PN 25								PN 40						
100	235	162	3	190	23	8	19	235	162	3	190	23	8	19
125	270	188	3	220	28	8	19	270	188	3	220	28	8	24
150	300	218	3	250	28	8	20	300	218	3	250	28	8	26
200	360	278	3	310	28	12	22	375	285	3	320	31	12	30
250	425	335	3	370	31	12	25	450	345	3	385	34	12	35
300	485	395	4	430	31	16	28	515	410	4	450	34	16	40
350	555	450	4	490	34	16	30	580	465	4	510	37	16	44
400	620	505	4	550	37	16	32	660	535	4	585	41	16	48
450	670	548	4	600	37	20	34	685	560	4	610	41	20	50
500	730	615	4	660	37	20	37	755	615	4	670	44	20	52
600	845	720	5	770	41	20	42	890	735	5	795	50	20	58
700	960	820	5	875	44	24	47	995	840	5	900	50	24	63
800	1.085	930	5	990	50	24	51	1.140	960	5	1.030	57	24	68
900	1.185	1.030	5	1.090	50	28	56	1.250	1.070	5	1.140	57	28	73
1.000	1.320	1.140	5	1.210	57	28	60	1.360	1.180	5	1.250	57	28	80
1.200	1.530	1.360	5	1.420	57	32	69	1.575	1.385	5	1.460	62	32	88
1.400	1.755	1.570	5	1.640	62	36	74	1.795	1.600	5	1.680	62	36	98
1.500	1.865	1.680	5	1.750	62	40	75	1.910	1.700	5	1.790	70	40	102
1.600	1.975	1.790	5	1.860	62	40	81	2.025	1.815	5	1.900	70	40	108
1.800	2.195	2.000	5	2.070	70	44	88							
2.000	2.425	2.230	5	2.300	70	48	95							